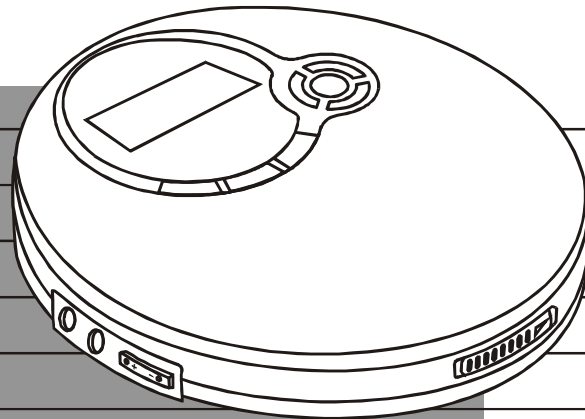




MODEL
KS9610CP

**120 SECOND ANTI-SHOCK
MP3-CD PLAYER WITH
45-SECOND DIGITAL ANTI SKIP
PROTECTION
CD-R AND CD-RW COMPATIBLE**



OWNER'S MANUAL

Thank you.....

For purchasing this Compact personal CD Player. It has a 24 track programmable memory so you can listen to the songs on your favorite CD's in any order you choose. Or you can use the Random playback feature and let the player select the playback order for you. Use the 3- way Repeat feature to repeat a single track, the entire disc, or a programmed sequence of tracks, indefinitely. We've also included a 45 Second Electronic Anti-Skip Memory which makes this player virtually skip- free under normal circumstances.

Included are a set of lightweight stereo headphones that are so comfortable you may forget you have them on. And finally, this player not only plays all professionally recorded commercial CD's, but it plays recordable CD's (CD- R music discs) and rewriteable CD's (CD- RW music discs) as well.

So if you or your friends are "burning" your own CD's on your computer CD- R drives, or on home audio type CD recorders, you can be sure that they are playable on this personal CD player.

Please read this instruction manual completely and carefully to make sure you understand the proper operation of this product, and get the maximum enjoyment out of all the features of this state-of-the-art CD Player.

The serial number of you CD player can be found on the bottom cabinet. We suggest that you record the serial number of your unit in the space below for future reference.

Model Number: KS9610CP

Serial Number: _____

SURGE PROTECTORS:

It is recommended to use a surge protector for AC connection. Lightning and power surges ARE NOT covered under warranty for this product.

EN-1

SAFETY PRECAUTIONS

PLEASE READ THE INSTRUCTION CAREFULLY BEFORE OPERATING THIS UNIT.

WARNING

To prevent fire or shock hazard, do not expose this appliance to rain or moisture.

IMPORTANT

Since the CD circuitry may cause interference to other radio tuners nearby, switch this unit off not in use or move it away from the affected radio tuner.

NOTE: This digital apparatus does not exceed the Class B limits for radio noise emissions from digital apparatus as set out in the Radio Interference Regulations of INDUSTRY CANADA. These limits are designed to provide reasonable protection against harmful interference in a residential installation. This equipment generates, uses and can radiate radio frequency energy and, if not installed and used in accordance with the instruction, may cause harmful interference to radio communications. However, there is no guarantee that interference will not occur in a particular installation. If this equipment does cause harmful interference to radio or television reception, which can be determined by tuning the equipment off and on, the user is encouraged to try to correct the interference by one or more of the following measures:

- Reorient or relocate the receiving antenna.
- Increase the separation between the equipment and receiver.
- Connect the equipment into an outlet on a circuit different from that to which the receiver is connected.
- Consult the dealer or an experienced radio / TV technician for help.

DANGER



INVISIBLE LASER RADIATION WHEN OPEN AND INTER-LOCK FAILED OR DEFEATED. AVOID DIRECT EXPOSURE TO LASER BEAM.

LASER SAFETY

This unit employs an optical laser beam system in the CD mechanism, designed with built-in safeguards. Do not attempt to disassemble, refer to qualified service personnel. Exposure to this invisible laser light beam may be harmful to the human eye.

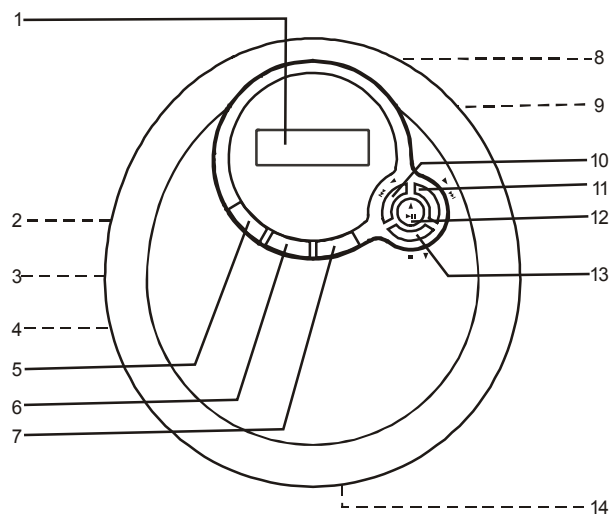
THIS IS A CLASS-1 LASER PRODUCT. USE OF CONTROLS, OR ADJUSTMENTS OR PROCEDURES OTHER THAN THOSE SPECIFIED HEREIN, MAY RESULT IN HAZARDOUS LASER LIGHT BEAM EXPOSURE.

SAFETY PRECAUTIONS

1. Do not open the cabinet. Refer servicing to qualified personnel only.
2. Do not expose to excessive heat, direct sunlight, dust, moisture, vibration or shock.
3. Use ONLY a Koss approved AC adaptor (not included), others may damage your unit. Disconnect from the wall outlet when the set is not to be used for an extended period of time.
4. When clearing your unit, use a soft dry cloth, do not use solvents or commercially available cleaners as they may damage or discolor the finish.
5. Do not wear headphones while operating a motor vehicle, this could create a traffic hazard and is illegal in many areas.
6. The headphones supplied with your unit provide super stereo listening while allowing you to hear outside sounds when listening at normally low volume levels. Listening at extremely high volume levels minimizes the intrusion of outside noise/sounds.
7. If you notice that the sound has become weak or distorted, this is an indication that your batteries are low. Replace with new or recharged batteries. (see BATTERY OPERATION)

EN-2

LOCATION OF CONTROLS



- | | |
|------------------------------|---|
| 1. DISPLAY WINDOW | LCD function display |
| 2. LINE OUT JACK | Connect to an external amplifier |
| 3. PHONE JACK | 3.5mm headphone jack |
| 4. VOLUME | Adjusts the volume |
| 5. MODE/ CLEAR | Selects the different playing possibilities; REPEAT/
ALL/DIR., INTRO, RANDOM |
| 6. ESP/MENU | MP3: select the file search function by MENU CD
AUDIO: Anti-Shock Protection on/off |
| 7. PROGRAM / EQ / "ENTER" | Selects the program mode or enters the program, and
MP3 file SEARCH-ENTER, choose equalizer setting. |
| 8. DC INPUT JACK | Jack for 4.5V external power supply |
| 9. HOLD SWITCH | Switch to disable the operating controls |
| 10. SKIP-/SEARCH ◀◀ /LEFT ◀ | Skip or fast search tracks backward, and MP3 file
SEARCH-LEFT |
| 11. SKIP+/SEARCH ▶▶ /RIGHT ▶ | Skip or fast search tracks forward, and MP3 file
SEARCH-RIGHT |
| 12. PLAY/PAUSE ◻◻ / UP ▲ | Turns the set on, starts and interrupts CD play, and
MP3 file SEARCH-UP |
| 13. STOP ■ / DOWN ▼ | Stops CD play, erases a program and turns the set off,
and MP3 file SEARCH-DOWN |
| 14. OPEN SWITCH | Opens the CD lid |

POWER SUPPLY

Power adaptor (not supplied)

Use with AC/DC adaptor(not supplied)

1. Insert the DC plug, at the end of the AC/DC adaptor cord, into the DC 4.5V INPUT socket located on the back of the unit.
2. Connect the AC/DC adaptor into 120V ~ 60Hz AC power outlet.

Notes:

- If the AC adaptor is connected when regular batteries are installed, the power supply automatically switches to the AC power source.
- Make sure that the AC/DC adaptor matches with your household voltage before connecting it into the wall outlet.
- When not using AC power, disconnect the AC/DC adaptor from the wall outlet.
- Do not touch the AC/DC adaptor with wet hands.

Batteries (not supplied)

With this set you can use:

- Alkaline batteries (type AA size)

Inserting batteries

1. Open the battery compartment and insert 2 alkaline batteries.
Follow the polarity as indicated in the battery compartment.

Notes:

- Old and new or different types of battery combinations should not be used.
- Remove batteries if they are low or if the unit will not be used for a long time.

Batteries contain chemical substance so they should be disposed of properly.

Indication of low batteries

- A flashing " LOW BATTERY" indication appears on the display when the batteries need to be changed. Replace them or connect the AC power adaptor .

Notes: The average playing time of batteries under normal condition.

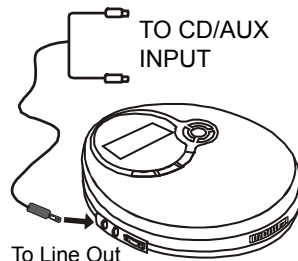
Playing Battery type	ESP on	ESP off
CD / Normal	3 hours	4 hours
CD / Alkaline	8 hours	9 hours
MP3 / Normal	4 hours	N/A
MP3 / Alkaline	10 hours	N/A

POWER SUPPLY

Line out

You can connect the CD player to an additional appliance. E.g. amplifier, radio cassette recorder, etc., with a LINE IN jack.

1. Turn down the volume on the additional appliance.
2. Connect the audio signal cable (not supplied,) to the LINE OUT jack of the CD player and the CD IN, AUX IN or LINE IN jack of the additional appliance.
3. To adjust the sound and volume, use the controls on the connected appliance.



IN-CAR CONNECTION

In-car use

Only use the car voltage converter (4.5V, DC, positive pole to the centre pin) and the car adapter cassette included with the unit. Any other product may damage the unit.

- 1 Put the CD player on a horizontal, vibration-free and stable surface. Make sure it is a safe place, where the player is not a danger or obstacle to the driver and passengers.
 - 2 Connect the DC plug of the voltage converter to the 4.5V DC socket of the CD player (only for a 12V car battery, negative grounding).
 - 3 Insert the voltage converter into the cigarette lighter socket. If necessary, clean the cigarette lighter socket to obtain a good electrical contact.
 - 4 Turn down the volume and connect the adapter cassette jack plug to the earphone socket of the CD player.
 - 5 Carefully insert the adapter cassette into the car radio's cassette compartment.
 - 6 Make sure the cord does not hinder your driving.
 - 7 Start the CD player, set VOL to the mid position and adjust the sound with the car radio controls.
- Always remove the voltage converter from the cigarette lighter jack when the CD player is not in use.

Notes: Avoid excessive heat from the car heating or from direct sunlight (e.g. in a parked car in the summer). If your car radio has a LINE IN socket, use the LINE IN socket for the car radio connection instead of the adapter cassette. Connect the signal lead to this LINE IN socket and the LINE OUT socket of the CD player.

HEADPHONES CONTROL

Connecting the headphones

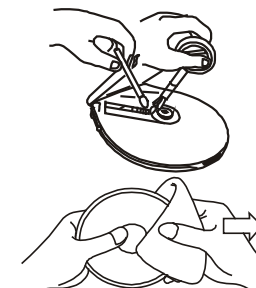
- Connect the headphone into the PHONE (GREEN) socket.

Important safety notes when using headphone

- **Hearing safety:** Do not play your headset at a high volume. Hearing experts advise against continuous extended play. If you experience a ringing in your ears, reduce the volume or discontinue use.
- **Traffic safety:** Do not use while operating a motorized vehicle. It may create a traffic hazard and it's illegal in areas. You should use extreme caution or temporarily discontinue use in potentially hazardous situations. Even if your headset is an open-air type designed to let you hear outside sounds, don't turn up the volume so high that you can't hear what's around you.

CD player and CD handling

- Do not touch the lens of the player.
- Do not expose the set, batteries or CDs to humidity, rain, sand or excessive heat (caused by heating equipment or direct sunlight).
- You can clean the CD player with a soft, slightly dampened lint-free cloth. Do not use any cleaning agents as they may have a corrosive effect.
- To clean the CD, wipe it in a straight line from the center toward the edge using a soft, lint-free cloth. A cleaning agent may damage the disc! Never write on a CD or attach a sticker to it.
- Playing is not possible when the lens may cloud over when the set is moved suddenly from cold to warm surroundings. Leave the CD player in a warm environment until the moisture evaporates.
- Active mobile phones in the vicinity of the CD player may cause malfunctions.
- Avoid dropping the set as this may cause damage.



Preset Equalizer

- While a CD is playing, press the PROG/ "ENTER" /EQ button to cycle through the EQ setting (NORMAL, CLASSIC, POP, JAZZ and ROCK).

CD PLAY

Playing a CD

This CD player plays **Audio CDs** and **MP3 CDs** such as CDRs and CDRWs. Do not try to play a Cdi, CDV or computer CD or DVD.

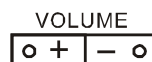
1. Slide the OPEN slider towards the right and the lid opens. The "Door-Open" indicator will appear in LCD.
2. Insert an audio CD or MP3-CD, printed side up, by pressing gently on the CD center so that it fits onto the hub. Close the lid by pressing it down on the left side.
3. Press the PLAY/PAUSE button for approximately 1 second to turn the set on and the start playback. The current track number and the elapsed playing time are displayed. It will take approx. 5 seconds for a CD to begin playback.
 - You can interrupt playback by pressing the PLAY/PAUSE button. The time where playback was interrupted flashes.
 - Continue playback by pressing the PLAY/PAUSE button again.
4. Press the STOP button to stop playback. The total number of tracks and the total playing time of the CD are displayed.
5. Press the STOP button again to turn off the set.
6. To remove the CD, hold it by its edge and press the hub gently while lifting the CD.
 - When the unit is turned on, the "ESP" function is active automatically. "ESP" is displayed. If the ESP function is not required, press the ESP button to turn it off.

Playback information

- If a CD Rewritable (CD Recordable) is not recorded properly (finalized). "Disc Error" is displayed.
- For CD Audio, use FINALIZE on your CD recorder to complete the recording.
- Playback will stop if you open the CD lid.
- While the CD is being read, "Now Reading" is displayed.
- If there is no activity after another 50 seconds, the set will turn off automatically to save battery power.

Volume and sound adjustment

- Adjust the volume level up to 32 steps by using the electrical Volume up/down button.



FEATURES

Selecting a track and searching

Selecting a track during playback

- Briefly press SKIP+ / SEARCH or SKIP- / SEARCH button once or several times to skip to the current, previous or subsequent track start. Playback continues with the selected track.

Selecting a track when playback is stopped

1. Briefly press SKIP+ / SEARCH or SKIP- / SEARCH button once or several times. The selected track number is displayed.
2. Press the PLAY / PAUSE button to start CD play. The playback starts with the selected track.

Searching for a passage during playback

1. Press and hold SKIP+ / SEARCH or SKIP- / SEARCH button to find a particular passage in a backward or forward direction. Search starts and playback continues at a low volume. After 2 seconds the search speeds up.
2. Release the button when you reach the desired passage. Normal playback continues from this position.

Note: During SCAN, searching is not possible.

Programming track numbers

You can select up to 24 tracks and store them in the memory in a desired sequence. You can store any track more than once.

1. While the unit is stopped, press the PROG. button. PROGRAM "P" lights up and "CD 00 P- 01" is displayed.
2. Select a track with SKIP+/- button.
 - Press the ENT.(ENTER) button once to store the desired track.
3. Select and store additional desired tracks.
4. Press the PLAY button to start playback of your selected tracks.
 - You can review the program by pressing the PROG. button when playback is stopped. The display shows all stored tracks in sequence.

Note :

You can also edit the program any time with the PROG. Button. If you press PROG. and there is no track selected after 30 sec. readout reverts to previous display.

Erasing the program

If necessary, press the STOP button to stop playback and then press the MODE/CLEAR button for 3 seconds. The program will also be erased if you change the CD. The program will be kept even though the player is turned power off.

FEATURES

ESP

This player incorporates the latest digital anti shock circuit, which prevents interruption of the sound output if the unit is subject to shock or vibration during disc playback. The anti shock system will automatically start when a disc is played. To turn this function off press the ESP button.

Note: When playing MP3 tracks, the display will read "Welcome MP3", The ESP feature will not appear but is automatically activated regardless of the ESP switch setting.

Selecting different playing options – MODE

It is possible to play tracks in random order, to repeat a track or the CD and to play the first few seconds of each track.

1. Press MODE during playback once or repeatedly until the display shows either:
 - **REPEAT 1** : The current track is played repeatedly. " **REP 1** " is displayed.
 - **REPEAT ALL**: The entire CD is played repeatedly. " **REP A** " is displayed.
 - **REPEAT "D"**: The current directory is played repeatedly. " **REP D** " is displayed.(MP3 only).
 - **"Intro"**: The first 10 seconds of each of the remaining tracks are played in sequence. " **INTRO** " is displayed.
 - **RANDOM**: All tracks of the CD are played in random order until all of them have been played once. " **RANDOM** " is displayed.
2. Press play in selected mode to begin.
3. To return to normal playback, press play MODE until the mode feature display indication disappears.

HOLD SWITCH

This unit is equipped with a HOLD switch to disable the operating controls. Select HOLD switch to "ON".

MP3-CD PLAYBACK

To play MP3-CDs

IMPORTANT INFORMATION

- Use mp3 as the file extension when creating audio files onto CDR-R/Ws. Do not use any other extensions such as doc, txt, pdf, etc., when creating audio files into MP3 format.
 - Do not use the .mp3 extension for text or other non-audio data files. This may result in serious malfunction of the set and harmful noise interference.
 - Single session means only one session created on the CDR-R/W.
 - **File Directory**: this is the set's display abbreviation for "**album or folder**". On a PC display, an album is shown as **Folder** in Window Explorer.
 - **Do not attempt to combine CD audio and MP3 tracks within a CDR-R/W, the unit will only be able to playback CD audio tracks from a CD with mixed formats.**
- 1 Place a MP3 CDR-R/W with the label side up and push the CD center lightly to set it in position.
 - 2 Press the PLAY/PAUSE" button to start playback "welcome MP3" number of directions and the number of tracks show on the display. Please note reading an MP3 CD will take 10 to 30 seconds depending on quantity of files to be read.
 - 3 Press STOP button to stop playback.
Playback stops and the display shows the total number of tracks and total number of directories/folders.

Selecting and searching a track/album

The following table shows the different functions available when playing Audio CD or MP3 CDs.

- **Single file** is displayed when playing an MP3 CD with only a root directory which contains no additional albums (folders).
- **With albums** means a MP3 CD with more than one album (folders), and is shown by directory and a number on the display, as AL 09, AL10, etc.

Function	CD audio	MP3	MP3 (with multiple Files)
Track select	✓	✓	✓
Music search	✓	✓	✓
Fast track select		✓	✓
Fast album select			✓

MP3-CD PLAYBACK

Track select

To select the next or previous track.

- Press the +SKIP / SEARCH button or -SKIP / SEARCH button once or repeatedly during playback.
Playback is interrupted and starts from the beginning of the selected track.

Music search

To fast search only within a CD Audio track.

- During playback, press and hold down the +SKIP / SEARCH button or -SKIP / SEARCH button. Release button at the desired passage.

File search function for MP3 CD with "MENU" button

You can search directly "FILE NAME " or "ALBUM SELECT "and "FILE SELECT" with menu button.

FILE NAME SEARCH

For example; rock.mp3 (file name)

1. Press the MENU button once, The display shows "ABCDEFGHJKLM" and the cursor is blinking.
2. Press the direction(UP) button, Display shows "MNOPQRSTUVWXYZ" and the cursor is blinking.
3. Select the "R" letter with the direction(RIGHT/LEFT) button, Cursor begins blinking on "R"
4. Press the ENT. button.

Auto playback occurs after searching and finding the "rock.mp3" file. If there are more than 2 files beginning with the same letter. it will show the fist file name blinking. At that time, select the desired file name with Direction (RIGHT/LEFT) button and then press the ENT. button.

Note :

Any mp3 files, i.e. file name containing symbols (examples: *,/,-,!,=,etc) are recognized and can be used for file name search. In this case, select the "special symbol" on display.

MP3-CD PLAYBACK

ALBUM / FILE SELECT

1. Press the MENU button twice ALBUM name appears on the upper row and FILE name on the lower row.
2. Select the desired ALBUM name with Direction(UP/DOWN) button or FILE name with the direction(LEFT/RIGHT) button.
3. Press the ENT. button. The selected track will play automatically.

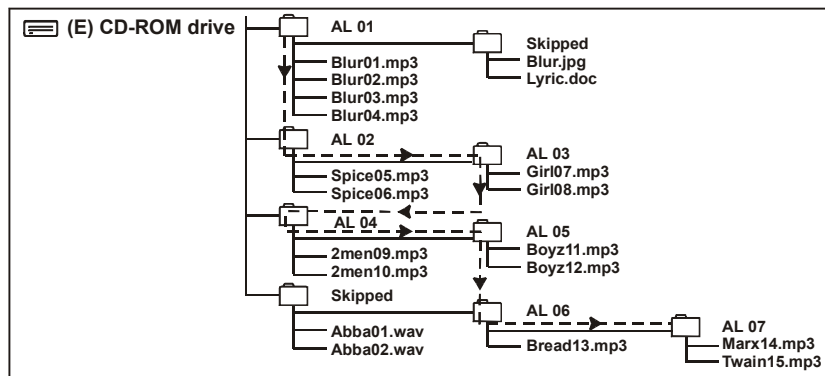
Track Programming

1. Programmes can only be set in the stop mode, press the PROG. button, "P" appears, and " 00 000 P - 01 " is displayed.
2. Select the album number with the SKIP+/- button.
3. Press the PROG. button.
TRACK number blinks.
4. Select the track number with the SKIP+/- button.
5. Press the PROG. button.
 - Select and store all desired tracks by repeating steps 2 to 5.
6. Press the PLAY button to start playback of your selected tracks.
 - You can review or edit the program track by pressing the PROG. button.

MP3-CD PLAYBACK (Continued)

Single session / Multi session

- The following chart is an example of a **Windows Explorer** display for a single session MP3 CDR-R/W disc. Check the added Notes to help you understand the MP3 CD unit display, the playback sequence of albums and tracks on single session MP3 CDs.
- Multi-session - Computer user does not need to finalize the CDR-R/W disc when the music is down-loaded from the internet. The music can be downloaded in different times until the whole disc is fully loaded and can play out in the unit.



Notes: - ➔ Arrow pathway show the sequence of MP3 album and track playback.

AL01-AL07 This CD ROM example has a total number of 7 MP3 albums (folders). Blur01.mp3-Twain15.mp3 This CD ROM example has a total number of 15 tracks, where '01' is the first track and '15' is the last track.

Skipped indicates an album which contains non-audio files such as: jpg, wav., doc. etc. These cannot be detected nor played on the MP3-CD player, When an album contains mixed format files, the non-MP3 files will be skipped.

MP3 Properties

Standard

MPEG rate	:32 ~ 384Kbps
Sampling Frequency	:8-48KHz
MPEG 1/2/2.5	:Layer 2/3
MP3 playback	:ISO9660 format compatible
Maximum file support	:Album (Directory) 99, File (Track) 300
* Support for "Multi session and Packet write.	

Software Properties section of your computer will have this confirmation.

TROUBLESHOOTING

WARNING

Under no circumstances should you try to repair the set yourself as this will void the warranty.

If a fault occurs, check the following hints.

If you are unable to solve a problem by following these hints, consult your dealer or service center.

Symptom	Symptom	Possible Solution
Power cannot be turned on	Batteries Are the batteries inserted correctly?	Insert the batteries correctly.
	Are the batteries dead?	Replace batteries.
	Is the power adapter connected properly?	Connect the power adapter properly.
Playback is impossible or stops during CD playback	Is the CD door closed properly?	Close the CD door tightly.
	Is there condensation on the lens?	Wait until the lens has cleared.
	Is the CD inserted properly?	Place the CD with the label side up.
	Is the CD scratched or damaged?	Use another CD.
<p>If using an MP3 CD burned from a computer, there could have been transfer errors during the process. This is an error between modem and computer or computer and CD. This is not an error with the Player</p>		

TROUBLESHOOTING

Symptom	Symptom	Possible Solution
Playback does not start from first track	Is the RESUME or PROGRAM function activated?	Switch off the RESUME function or clear the PROGRAM.
	Are connection plugs inserted properly?	Check all connections.
No sound or poor sound quality	Is the volume set too low?	Adjust the volume.
	Is the headphone plug dirty?	Clean the headphone plug.
	Is the set located near strong magnetic fields?	Move the set away from strong magnetized fields.
	Is the temperature inside car too high/low?	Let the set adjust to the temperature.
	Is the cigarette lighter socket dirty?	Clean the cigarette light socket.
	Is the playback direction of car cassette player's auto-reverse feature?	Change the auto reverse direction.

Note: If you do not find an error and the disc is not reading properly, simply power-off the player completely, wait 5 seconds and re-power(turn on) the unit.

Features and specifications subject to change without notice.