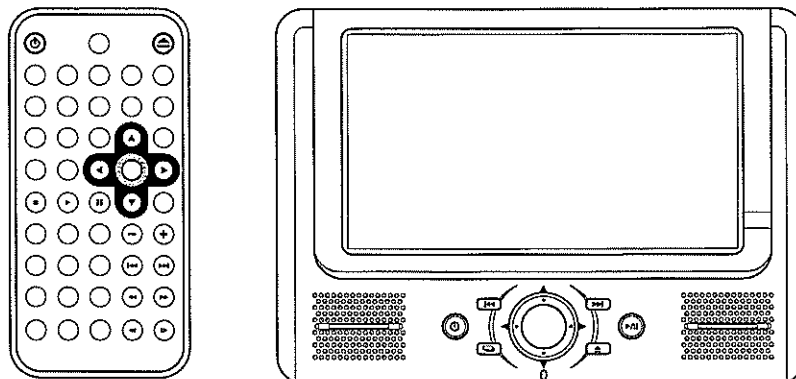


# OWNER'S MANUAL

## Mobile Video System

---



- Digital Audio Out-Coaxial
  - DVD Player
  - Multi Color TFT Monitor
  - Multi-subtitle Languages Function
  - Multi-audio Languages Function
  - Multi-angle Function
  - Parental Control
  - Remote Control
-

## FEATURES

### **Compatible with PAL DVD (Video CD) and NTSC DVD (Video CD)**

This player can play discs recorded in either PAL or NTSC format.

- A single LSI chip now integrates all major DVD playback circuit functions including MPEG2 decoder, video D/A converter, and audio decoders.
- L/R stereo analog audio outputs for connection to existing head unit aux inputs. Video output is composite video.
- Supplied remote handles multi-function software (multi-language audio-track/subtitle, multi-angle, multi-story, etc.), plus all basic functions.

### **Use Authorized Service Centres**

Do not attempt to disassemble or adjust this precision product. Please refer to the Service Centre list included with this product for service assistance.

## USE THIS PRODUCT SAFELY

### **When Driving**

Keep the volume level low enough to be aware of road and traffic conditions.

### **When Car Washing**

Do not expose the product to water or excessive moisture. This could cause electrical shorts, fire or other damage.

### **When Parked**

Parking in direct sunlight can produce very high temperatures inside your vehicle. Give the interior a chance to cool down before starting playback.

### **Use the Proper Power Supply**

This product is designed to operate with a 12 volt DC, negative ground battery system (the regular system in a North American car).

### **Protect the Disc Mechanism**

Avoid inserting any foreign objects into the slot of this player.

Failure to observe this may cause malfunction due to the precise mechanism of this unit.

## CONTENTS

---

<b>Safety Information</b> .....	<b>4</b>
<b>Disc Notes</b> .....	<b>5</b>
<b>The Player</b> .....	<b>6</b>
<b>Using with Optional Battery</b> .....	<b>7</b>
<b>Installation</b> .....	<b>8</b>
<b>Electric Connection</b> .....	<b>10</b>
<b>Remote Control</b> .....	<b>11</b>
Location and Function of Keys .....	11
Preparing the Remote Control .....	13
<b>Loading/Ejecting a disc</b> .....	<b>13</b>
Loading a disc .....	13
Ejecting a disc .....	13
<b>Operation</b> .....	<b>14</b>
Basic Play .....	14
Menu Function .....	16
On-Screen Display Function .....	17
Multi-audio Language Function .....	18
Title Menu Function .....	18
Multi-subtitle Language Function .....	18
Multi-angle Function .....	18
MP3 Disc Play .....	19
<b>Setup</b> .....	<b>20</b>
Initial Setup .....	20
General Setup .....	20
Speaker Setup .....	22
Audio Setup .....	22
Preferences Setup .....	23
Defaults Table .....	25
<b>Trouble Shooting</b> .....	<b>26</b>
<b>Specifications</b> .....	<b>27</b>
<b>TFT Monitor</b> .....	<b>28</b>

## SAFETY INFORMATION

### CAUTION:

MOBILE DVD PLAYER IS A CLASS I LASER PRODUCT. HOWEVER THIS MOBILE DVD PLAYER USES A VISIBLE/INVISIBLE LASER BEAM WHICH COULD CAUSE HAZARDOUS RADIATION EXPOSURE IF DIRECTED. BE SURE TO OPERATE THE MOBILE DVD PLAYER CORRECTLY AS INSTRUCTED.

USE OF CONTROLS OR ADJUSTMENTS OR PERFORMANCE OF PROCEDURES OTHER THAN THOSE SPECIFIED HEREIN MAY RESULT IN HAZARDOUS RADIATION EXPOSURE.  
DO NOT OPEN COVERS AND - DO NOT REPAIR YOURSELF. REFER SERVICING TO QUALIFIED PERSONNEL.

### WARNING:

- TO REDUCE THE RISK OF FIRE OR ELECTRIC SHOCK, DO NOT EXPOSE THIS EQUIPMENT TO RAIN OR MOISTURE.
- TO REDUCE THE RISK OF FIRE OR ELECTRIC SHOCK, AND ANNOYING INTERFERENCE, USE ONLY THE RECOMMENDED ACCESSORIES.
- THIS DEVICE IS INTENDED FOR CONTINUOUS OPERATION.

This product incorporates copyright protection technology that is protected by method claims of certain U.S. patents and other intellectual property rights owned by Macrovision Corporation and other rights owners. Use of this copyright protection technology must be authorized by Macrovision Corporation, and is intended for home and other limited viewing uses only unless otherwise authorized by Macrovision Corporation. Reverse engineering or disassembly is prohibited.

### Region Management Information

Region Management Information: This Mobile DVD Player is designed and manufactured to respond to the Region Management Information that is recorded on a DVD disc. If the Region number described on the DVD disc does not correspond to the Region number of this Mobile DVD Player, this Mobile DVD Player cannot play this disc.

### IMPORTANT

Since DVD circuitry may cause interference to other radio tuners nearby, switch this unit off when not in use or move it away from the affected radio tuner.

NOTE: This digital apparatus does not exceed the Class B limits for radio noise emissions from digital apparatus as set out in the Radio Interference Regulations of Industry Canada. These limits are designed to provide reasonable protection against harmful interference in a residential installation. This

equipment generates, uses and can radiate radio frequency energy and, if not installed and used in accordance with the instruction, may cause harmful interference to radio communications. However, there is no guarantee that interference will not occur in a particular installation. If this equipment does cause harmful interference to radio or television (which can be determined by turning the equipment off), the user is encouraged to try to correct the interference by one or more of the following measures:

- Reorient or relocate the receiving antenna.
- Increase the separation between the equipment and receiver.
- Connect the equipment into an outlet on a circuit different from that to which the receiver is connected.
- Consult the dealer or an experienced radio / TV technician for help.

## DISC NOTES

Disc formats supported by this player



**DVD**  
12 cm disc  
(Single-sided disc only)



**Video CD**  
12 cm disc

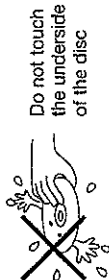
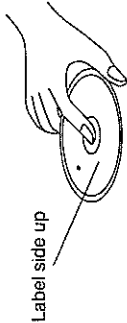


**CD**  
12 cm disc



**MP3**  
12 cm disc

Note these scratches are not an indication of any problem with the player.

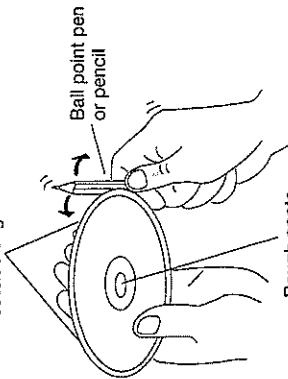


Wipe the disc from center toward the outside edge

### Preparing New Discs with Rough Spots

A new disc may have rough edges on its inside and outside edges. If a disc with rough edges is used, the proper setting will not be performed and the player will not play the disc. Therefore, remove the rough edges in advance by using a ball point pen or pencil as shown on the right. To remove the rough edges, press the side of the pen or pencil against the inside and outside edges of the disc.

Rough spots on outside edge



Rough spots on inside edge

**Discs which cannot be played with this player**

- DVD-ROM
- DVD-R/DVD-RAM
- CDV
- CD-G

### Handling and Cleaning

- Dirt, dust, scratches and warping disc will cause misoperation.
- Do not place stickers or make scratches on discs.
- Do not warp discs.
- A disc should always be kept in its case when not in use to prevent from damaging.
- Do not place discs in the following places:
  1. Direct sunlight
  2. Dirty, dusty and damp areas
  3. Near car heaters
  4. On the seats or dashboard

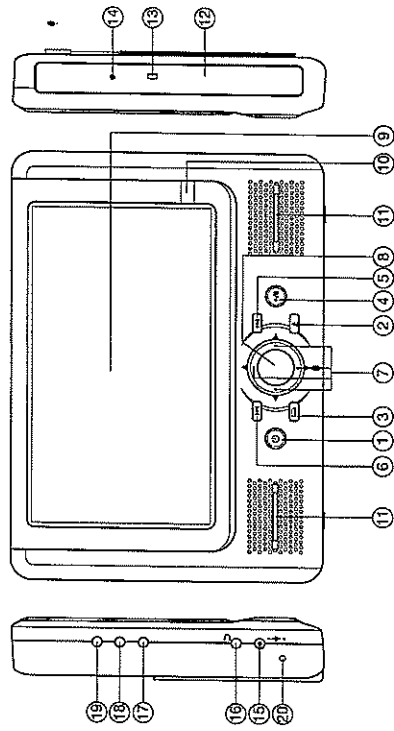
### Disc Cleaning

Use a dry soft cloth to wipe the surface. If the disc is quite dirty, use a soft cloth slightly moistured with isopropyl (rubbing) alcohol. Never use solvents such as benzene, thinner or conventional record cleaners as they may mar the surface of the disc.

### Note:

A disc may become somewhat scratched (although not enough to make it unusable) depending on your handle it and conditions in the usage environment.

## THE PLAYER



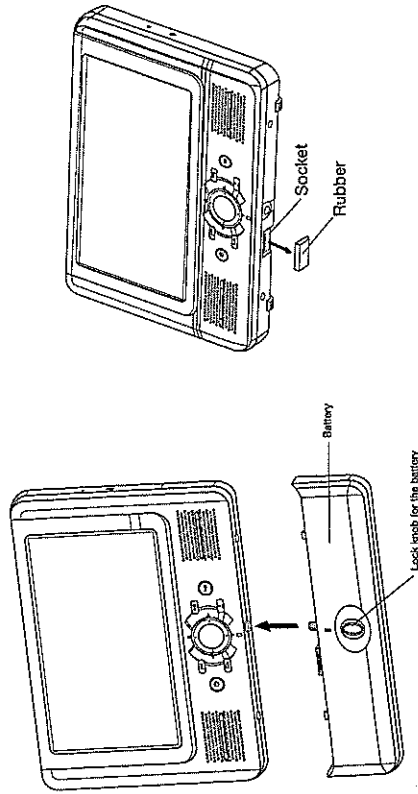
- |                                 |                                                  |
|---------------------------------|--------------------------------------------------|
| 1. POWER /STOP button           | 10. Remote Sensor                                |
| 2. EJECT(▲) button              | 11. Speakers                                     |
| 3. SETUP button                 | 12. Disc tray                                    |
| 4. PLAY/PAUSE (▶/⏸) MODE button | 13. Data reading indicator                       |
| 5. NEXT(▶▶) button              | 14. Button (recessed) for manually ejecting disc |
| 6. PREV(◀◀) button              | 15. DC 12V IN                                    |
| 7. ◀/▶, ▲/▼ cursor buttons      | 16. Jack for headphones                          |
| 8. OK button                    | 17. AV IN                                        |
| 9. 7 inch TFT Color Monitor     | 18. DIGITAL AUDIO                                |
|                                 | 19. AV OUT                                       |
|                                 | 20. Reset button                                 |

## USING WITH OPTIONAL BATTERY

This DVD unit can also be operated with an optional battery according to the user's need.

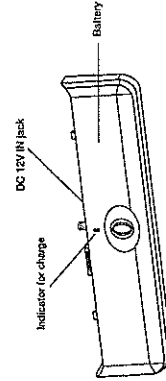
### INSTALL THE BATTERY TO THE DVD UNIT

Make sure that the rubber connecting socket cover on the DVD player is removed and stored in a safe place before attaching optional battery. On the bottom of the DVD unit, there is a threaded hole in the centre for installing the battery. Align the battery connector with the connecting socket on the bottom of the player. Insert the head of the lock knob bolt into the threaded hole, then rotate the lock knob until tight to fix the battery to the DVD player.



### USING THE BATTERY

When the battery is with the main unit, it can be charged through the DC 12V IN jack on the side of the DVD unit. When the battery is removed from the DVD unit, it also can be charged through the DC 12V IN jack on the battery. When charging, the indicator (see below) will turn red. When it turns yellow, it means the battery is fully charged.

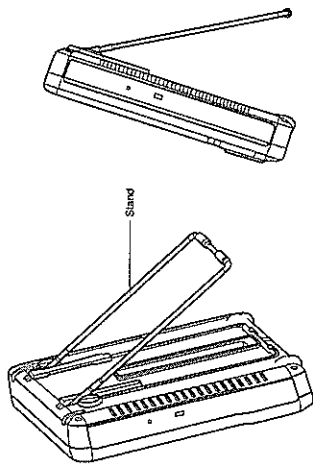


**NOTE:** If you wish to purchase an optional battery, please contact our KOSS Service Centre at 1-800-287-4871.

## INSTALLATION FOR DESKTOP USE

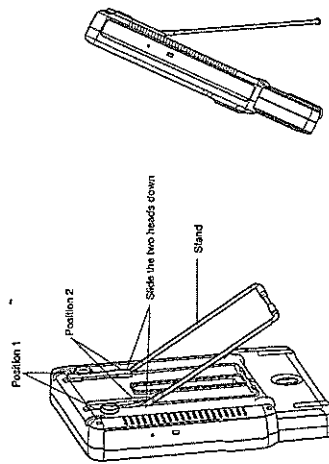
### FOR THE UNIT WITHOUT THE OPTIONAL BATTERY:

You can pull out the stand on the back of the DVD unit to place the unit in the desired position.



### FOR THE UNIT WITH THE OPTIONAL BATTERY:

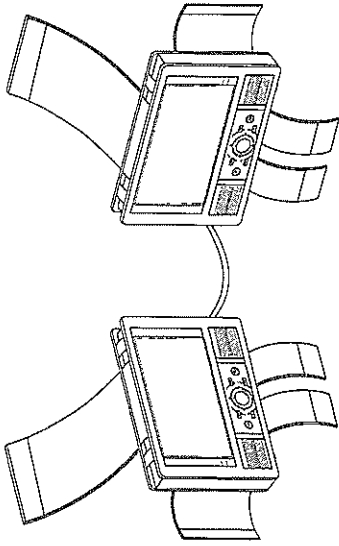
You can pull out the two heads of the stand from Position 1 then slide the two heads down to Position 2, then place the unit in the desired position.



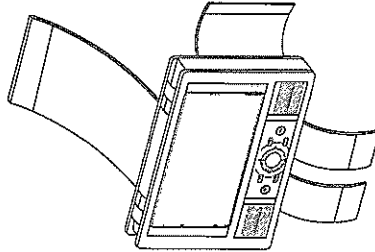
## INSTALLATION

### INSTALL THE MONITOR AND DVD UNIT INTO THE MOUNTING POUCHES

1. The monitor and the DVD unit are placed in the mounting pouches individually. See Fig.1.



2. As shown in Fig.2, the monitor is fully installed in the bag.



### INSTALL THE HEADREST POUCHES WITH THE MONITOR AND DVD UNIT

1. Place the separate monitor on the headrest at the left hand side and the DVD at the right hand side. They can be fixed by using the straps on the bag as shown in Fig.3.

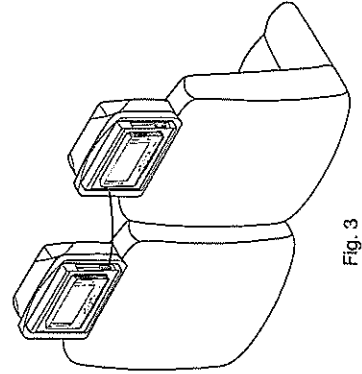
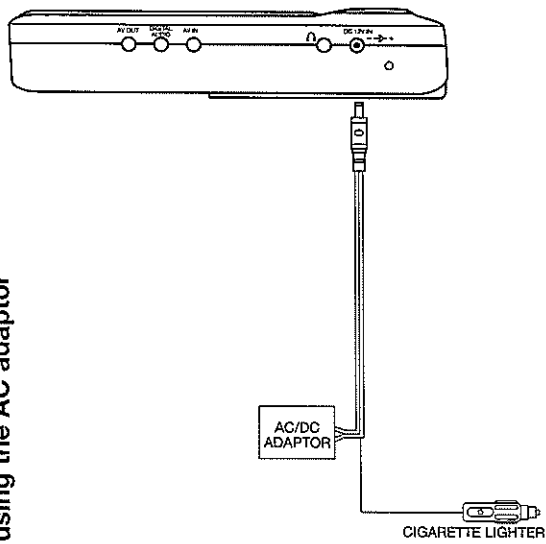


Fig.3

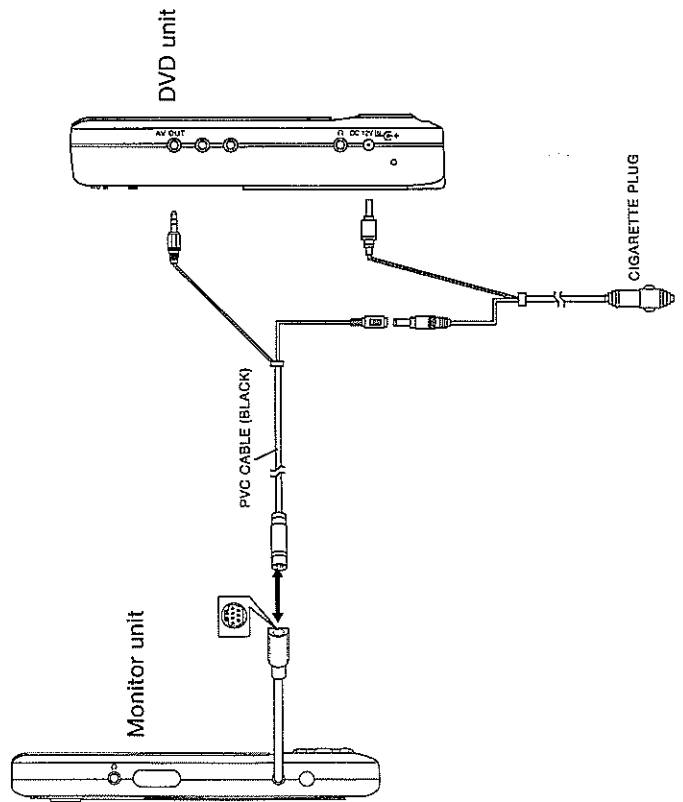
## ELECTRICAL CONNECTION OPTIONS

### 1. Connection using the AC adaptor



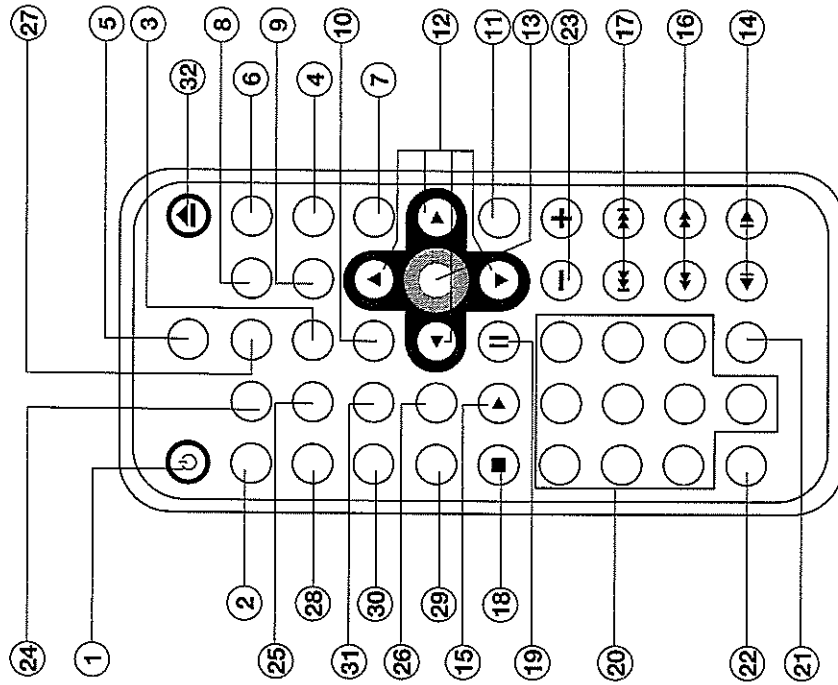
Note: The AC adaptor is for connecting DVD unit only.

### 2. Connection using the DC adaptor



## REMOTE CONTROL

### LOCATION AND FUNCTION OF KEYS



## REMOTE CONTROL

1. POWER OFF When the unit is on, press the button to turn the unit off.
2. MUTE Press to mute the sound.
3. SUB-T Changes the SUBTITLE language on multi-subtitle language DVD discs.
4. ANGLE Changes the view angle on multi-angle DVD discs.
5. DISPLAY Display statistical disc information during playback.
6. MODE Changes between DVD mode and AV mode.
7. SETUP Display the SETUP menu.
8. P/N Switch between PAL mode and NTSC mode.
9. AUDIO Changes the AUDIO soundtrack on multi-audio soundtrack DVD discs. Changes the sound mode on the VCD/CD discs.
10. TITLE Display the TITLE menu that is stored on DVD discs.
11. MENU Display the adjustment items, such as Bright, Contrast, Color, Tint, Screen and TX (transmit for unit with FM transmitter function).
12. ◀/▶, ▲/▼ In case of MENU mode, ◀/▶, ▲/▼ buttons served as cursor buttons to select item left/right, forward/back.
13. OK Confirm the Track/Chapter selected with the numeric buttons or selected with the cursor buttons on screen display.
14. ▶/◀ Changing for slow forward/reverse playback motion.
15. ▶▶ Press to play the disc.
16. ◀◀/▶▶ Press ▶▶ to search forward rapidly & ◀◀ to search reverse rapidly.
17. ▶▶/◀◀ Press ▶▶ to skip to the next track & press ◀◀ to skip back one track.
18. ■ Press to stop playback.
19. || Press to pause playback.
20. 0 - 9 Numeric buttons
21. 10+ Tens digit select button, used together with numeric buttons.
22. CLEAR When you input a number in error, press this button to clear it.
23. VOLUME+/- Press VOLUME+/- button to increase or decrease the volume level. Used to adjust items selected by pressing MENU.
24. ZOOM Allows the picture to be increased in size.
25. RESUME When in stop mode, press this button, then play can be resumed from the stop point (only for CD).
26. GOTO Disc search button, used together with numeric buttons.
27. PBC Changing between PBC ON and PBC OFF when playing a VCD disc.
28. SHUFFLE Allows the tracks to be played in random order.
29. PROGRAM Allows the tracks to be played in the order you programmed.
30. REPEAT Switch the Repeat mode of discs.
31. A-B A-B repeat allows a passage to be repeated continuously.
32. ▲ (EJECT) Press to eject the disc.

## REMOTE CONTROL

### Preparing the Remote Control

#### Inserting the Battery (Included)

1. Open the battery compartment cover (see diagram on back of remote).
  2. Insert a new battery. Make sure that the positive and negative sides of the battery are positioned as indicated.
  3. Close the cover.
- Battery: one button cell lithium battery (CR2025)

#### Using the Remote Control

Face the remote control towards the player front face IR mark (remote control signal receiver).

Operation angle: About ± 30 degree in each direction of the front of the IR mark.

## LOADING / EJECTING A DISC

### Loading a Disc

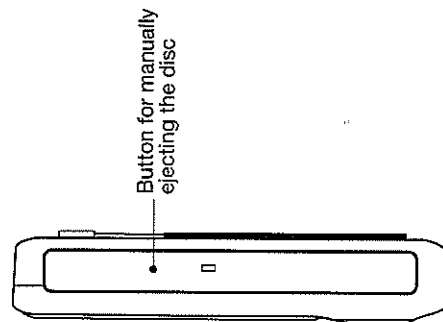
When you have positioned the unit and all connections have been completed you can load a disc as follows:

1. If you are using an AC adapter proceed to step 2. If you are operating in a vehicle with a DC lighter adapter, turn the ignition to the ACCESSORY position or start the vehicle.
2. Press the POWER button on the front panel.
3. Press ▲ (EJECT) button to open the disc tray. The disc door is on the side of the unit.
4. Place the disc with printed side facing up on the tray. Press firmly in the centre of disc to fix on pivot, close the disc door.
5. The player will start playback automatically.

### Ejecting a Disc

Press ▲ (EJECT) button to eject the disc.

**Note:** When the disc cannot be ejected by pressing ▲ (EJECT) button (when the unit can't work normally or has no power), you can activate the button on the side of the unit with a pointed object to eject the disc manually.



## OPERATION

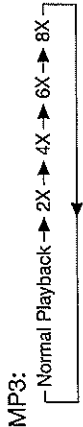
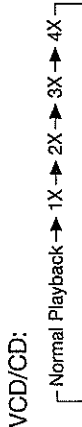
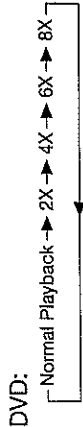
### BASIC PLAY

#### Stopping Play

- Press the **■** (Stop) button to stop playback. When the **▶** (Play) button is pressed, normal playback will continue.
- Press **■** (Stop) button twice to stop playback and go back to initial Track/Chapter.

#### Rapid Forward/Rapid Reverse

Press **▶▶** & **◀◀** during play. Each time the button is pressed, the speed of rapid forward/reverse changes according to the disc as follow.

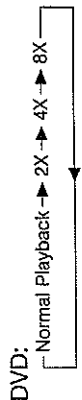


#### Skipping Chapters/Tracks

Press **▶▶** / **◀◀** buttons on the unit or remote control during playback. Press **▶▶** to skip to next chapter/track, and **◀◀** to skip back one chapter/track. Note: For some VCD 2.0 discs (PBC-playback control), use of **▶▶** / **◀◀** buttons may be unavailable.

#### Slow Motion Play

Press **▶** / **◀** on remote during play. Each time the button is pressed, the speed of slow forward/reverse changes according to the disc as follow.



#### Pause

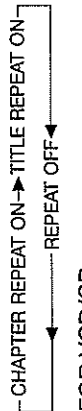
Pressing **||** on the remote control or pressing **▶/||** on the front panel during playback will stop playback temporarily. To return to normal playback, press **▶** on the remote control or press **▶/||** on the front panel.

#### MUTE

Will mute the sound, but the disc continues playing. When you unmute the sound (press **MUTE** again), sound will resume.

#### Repeat

FOR DVD:  
Press **REPEAT** button to select repeat mode as follows:



#### FOR VCD/CD:

Press the **REPEAT** button to select repeat mode as follows:



1. Continuously repeats the current chapter/track, when you select **REP-ONE** mode.
2. Select **REP-ALL** mode to continuously repeat all chapters/tracks on the current disc.
3. When the player finishes playback of the current disc last chapter/track, it will stop and display the elapsed time. When **REPEAT OFF** mode is selected, **REP-ONE** & **REP-ALL** disappear on the screen display.
4. **REPEAT** feature does not support VCD2.0 (with **PBC ON**).

## OPERATION

### A-B

A-B repeat allows a passage to be repeated continuously. Press **A-B** button at the start of the required passage, then press **A-B** button again at the end of the passage. To revert to normal playing, press **A-B** button again. Each time the button is pressed, the screen will display as follows:

A TO B SET A → A TO B SET B → A TO B CANCELLED

### Disc Search (GOTO)

FOR DVD  
Press **GOTO** button twice, the screen will display the following message:



You can select the item you want to watch through **TIME** setting by using the numeric buttons and pressing **ENTER** key.

### FOR CD/VCD (WITH PBC OFF):

Press **GOTO** button once, the screen will display the following message:



Use numeric buttons to input the time directly.

### ZOOM

Allows the picture to be increased in size. Press **ZOOM** to toggle among 1.5x, 2x and 3x scale.

During Zoom mode, press **▲** / **▼** , **◀** / **▶** buttons to move pictures up, down, left or right direction.

### SHUFFLE (CD/MP3 Discs Only)

Press **SHUFFLE** button and track selection will be made in random order. The display screen will show "SHUFFLE ON" on the screen. Press **SHUFFLE** button again, "SHUFFLE OFF" appears and releases the mode.

### PROGRAM (CD/MP3 Discs Only)

In stop mode, press **PROGRAM** button, the screen will display "PROGRAM P00:00". For example: press numeric button 4 and **▶** button, "PROGRAM P01:04" appears. It means track 4 will be played first.

### MODE SELECTION

Press and hold **PLAY/PAUSE (MODE)** button on the front panel of the unit for several seconds or press **MODE** button on the remote control to select between DVD and AV mode.

### VOLUME LEVEL ADJUSTMENT

Press and hold **(VOL+)** / **(VOL-)** on the front panel or press and hold **VOLUME +/-** on the remote control to increase or decrease the volume level.

### JACK FOR HEADPHONES (included)

There is one jack for a headphone. You can connect a headphone to the jack for private listening. Note: Sound from the speakers will be muted when headphone is plugged in.

### REMOTE SENSOR

Point the remote handset to the remote sensor on the front panel. Receives the signal from remote handset.

## OPERATION

### TURNING THE UNIT ON/OFF

When the power is off, press the **(POWER)** button on the front panel to turn on the unit.  
 When the power is on, press **POWER OFF** button on the remote control to turn off the unit, or when the power is on, press **POWER** button on the front panel for several seconds to turn off the unit.  
 Pressing and releasing **(POWER)** button on the front panel is **STOP** function, and the function is the same with **STOP** button on remote control.

### RESET FUNCTION

Reset button must be activated with pin object.  
 The reset button is to be activated for the following reasons:  
 - All the function buttons do not operate.  
 - Error symbol on the display.

### MENU FUNCTION

Press **SETUP** button on the unit or press **MENU** on the remote control during **DVD**, **AV** mode to display the adjustment items on the screen.  
 (When unit plays **PAL** disc):

MENU	
BRIGHT	32
CONTRAST	32
COLOR	32
SCREEN	16:9
TX	OFF

(When unit plays **NTSC** disc):

MENU	
BRIGHT	32
CONTRAST	32
COLOR	32
TINT	32
SCREEN	16:9
TX	OFF

Press **▲/▼** buttons on the DVD unit or **▲/▼** buttons on the remote control to select among **Bright**, **Contrast**, **Color** and **Tint** (For the unit with **NTSC** system).  
 Press **◀/▶** buttons on the DVD unit or press **◀/▶** buttons on the remote control to adjust the selected item.

**Note:** When you set the **TV TYPE** item to "PAL" in "PREFERENCES SETUP", there is no "TINT" item to display.  
 In Screen item, you can select appropriate **TV aspect ratio (4:3 or 16:9)** using the **◀/▶** buttons on the unit or **◀/▶** buttons on the remote control.

The **TX** (transmit) item is effective when the unit has the built-in FM transmitter function.

- For the unit with FM transmitter function: When **TX** is selected, use **◀/▶** buttons to select among these choices: **OFF**, **88.1/90.1/92.1**.

These 3 transmitting frequencies are factory defaults. Try to select one of the three that has no radio station in your area. Select the frequency and press **OK** button. Then there will be a red background shown on the selected frequency. If you need to adjust the chosen frequency you can then use the **◀/▶** buttons to change the frequency up or down. When you have selected the desired frequency point, press **OK** button to confirm (then the red background on the frequency digits disappears.). Then the transmitting frequency of the unit is the frequency just set.

## OPERATION

### On-Screen Display Function

Press the **DISPLAY** button during playback to display the contents of the current disc on the screen.  
 Example:

DVD:

(1) Press **DISPLAY** for the first time:

TITLE 01/03 CHAPTER 002/025
00:02:25

Title Number, Total Title Number, Chapter Number, Total Chapter Number of this Title of the disc currently being played will be shown on the screen, along with the elapsed time.

(2) Press **DISPLAY** for the second time:

TITLE REMAIN
01:46:58

(3) Press **DISPLAY** for the third time:

CHAPTER ELAPSED
00:00:24

(4) Press **DISPLAY** for the fourth time:

CHAPTER REMAIN
00:01:39

(5) Press **DISPLAY** for the fifth time:

The message on the screen will be cleared.  
 VCD:

(1) Press **DISPLAY** for the first time:

SINGLE ELAPSED
00:00:25

(2) Press **DISPLAY** for the second time:

SINGLE REMAIN
00:03:15

(3) Press **DISPLAY** for the third time:

TOTAL ELAPSED
00:00:25

(4) Press **DISPLAY** for the fourth time:

TOTAL REMAIN
00:40:35

(5) Press **DISPLAY** for the fifth time:  
 The message on the screen will be cleared.  
 CD:

(1) Press **DISPLAY** for the first time:

SINGLE ELAPSED
00:00:25
TRACK : 01/14

(2) Press **DISPLAY** for the second time:

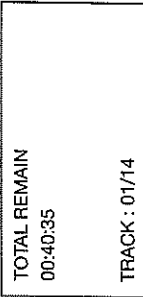
SINGLE REMAIN
00:03:15
TRACK : 01/14

(3) Press **DISPLAY** for the third time:

TOTAL ELAPSED
00:00:25
TRACK : 01/14

## OPERATION

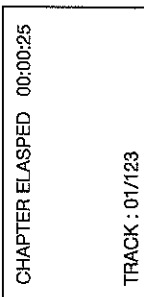
- (4) Press **DISPLAY** for the fourth time:



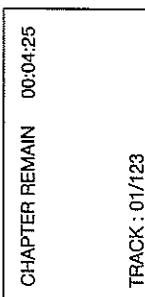
- (5) Press **DISPLAY** for the fifth time:  
The message on the screen will be cleared.

### MP3 (When set to NO MENU in SMART NAV item):

- (1) Press **DISPLAY** for the first time:



- (2) Press **DISPLAY** for the second time:



- (3) Press **DISPLAY** for the third time:  
The message on the screen will be cleared.

### Multi-audio Language Function

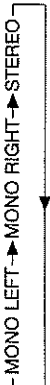
#### For DVD:

Press **AUDIO** on the remote control during playback. Each time the button is pressed, the audio soundtrack language changes in sequential order.

- Notes:
- The language number is different according to the disc.
  - Some discs only contain one language soundtracks.
  - When no different language soundtracks are recorded, will be displayed at screen left top corner.

#### For VCD/CD:

Press **AUDIO** on the remote control during playback. It is possible to switch the sound between monaural and stereo sound.



### TITLE Menu Function (For DVD only)

If the DVD has multiple titles recorded on the disc, you can select preferred title from the title menu to start playback.

- Press **TITLE** during playback.
- The title menu is displayed.
- Press the cursor button shown on screen display to select preferred title and confirm by pressing **OK** button on the DVD unit or on the remote control.

### Multi-subtitle Language Function (For DVD only)

Press **SUB-T** during playback. Each time the button is pressed, the subtitle language changes in sequential order.

- Notes:
- The language number is different according to the disc.
  - Some discs only contain one subtitle language.
  - When no different subtitle language are recorded, will be displayed at screen left top corner.

### Multi-angle Function (For DVD only)

Press **ANGLE** during playback. Each time the button is pressed, the picture angle changes in sequential order.

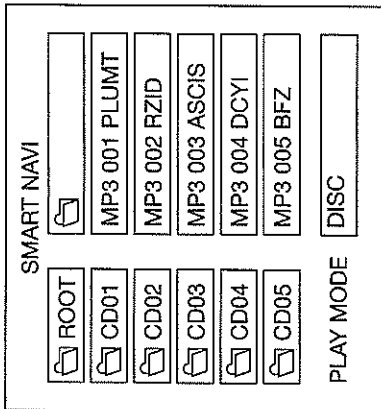
- Notes:
- The angle number is different according to the disc.
  - The function only works for discs having scenes recorded at different angles.
  - When no different angle is recorded, will be displayed on the top left corner of the screen.

## OPERATION

### MP3 Disc Play

MP3 discs play in FOLDER/ALBUM format.

For example:



In stop mode, use **▲/▼**, **◀/▶** on the remote control to select the item or folder (such as CD01, CD02...), and press **OK** button on the DVD unit or on the remote control to confirm, then select the desired track (such as 001 PLUMT, 002 RZID ...) on the selected folder to play.

Pressing **REPEAT** button on remote one, two or three times can select three kinds of repeat play mode.

**REP-ONE:** Play the same song over and again.

#### FOLDER REPEAT:

Play all songs in the current directory in sequence, over and again.

#### FOLDER:

Play all songs in the current directory once.

When select **PLAY MODE**, press **▲/▼** to change between the following mode:

- SINGLE → REP-ONE → FOLDER → FOLDER REP → DISC SCAN → DISC → DISC REP → SHUFFLE ON → PROGRAM PXXX

In the playback mode, use **▶|** or **◀|** to skip an item ahead or back.

**◀◀** : Rapid reverse, **▶▶** : Rapid advance.

Note: The **FOLDER** cannot be selected during playing. It can be selected after

**■** (Stop) button is pressed.

# SETUP

## INITIAL SETUP

SETUP MENU --- MAIN PAGE

GENERAL SETUP
SPEAKER SETUP
AUDIO SETUP
PREFERENCES
EXIT SETUP

1. Press **SETUP** on the remote control in the stop mode. (Press the **STOP** button twice to ensure that the player is in STOP mode.)
2. The initial SETUP menu is displayed.
3. Select the preferred item by using the **▲ / ▼** buttons.

There are 4 basic menus to choose from as follows:

- a. **GENERAL SETUP**  
This setup page includes all the item of TV display & audio output feature. For details please refer to **GENERAL SETUP MENU**.
- b. **SPEAKER SETUP**  
This is to activate the audio output from DOLBY AC3 5.1, DOWNMIX to 2 channel mode. Please refer to **SPEAKER SETUP MENU**.
- c. **AUDIO SETUP**  
This setup page includes all the items for AUDIO. Please refer to **AUDIO SETUP MENU**.
- d. **PREFERENCE SETUP**  
This setup page includes all the configuration of support feature. For details please refer to **PREFERENCES SETUP MENU**.

4. Press **OK** button to confirm the selected menu. Each of the basic menus then has sub-menus which allow you to make further selections.

5. Select the preferred Sub-menu item by using the **▲ / ▼** buttons. The choices in each sub-menu will appear in the right column. Then use the **▶** button to move to the right column. Then use the **▲ / ▼** buttons to select the desired item or setting. Press the **OK** button to confirm the selection and then press the **◀** button to move back to sub-menu.

6. When you have finished making selections in a sub-menu, use the **▲ / ▼** buttons to move to the MAIN PAGE choice and then press **OK** to move back to the Initial Setup Menu. You may then use the **▲ / ▼** buttons again to select another menu or select **EXIT SETUP** and press **OK**.

## GENERAL SETUP

--- GENERAL PAGE ---

TV DISPLAY	NORMAL/PS
PIC MODE	NORMAL/LB
ANGLE MARK	WIDE
OSD LANG	
CAPTIONS	
SCR SAVER	
MAIN PAGE	

Video Format	TV Screen		
	Normal	Letter-box	Wide (16:9)
4:3			
16:9			

### TV display setup

This is to select the appropriate TV/Monitor aspect ratio (4:3 standard TV or 16:9 widescreen TV) according to the DVD disc to be played or an external monitor or TV set.

### Normal/PS (For 4:3 TV/Monitor)

Played back in the Pan and Scan style. If played on widescreen TV/monitor, the left and right edges are cut off.

### Normal/LB (For 4:3 TV/Monitor)

Played back in letterbox style. Black bands appear at the top and bottom of the screen.

### Wide (For 16:9 TV/Monitor)

Select when a widescreen TV/Monitor is used and the DVD is widescreen format.

# SETUP

--- GENERAL PAGE ---

TV DISPLAY	
PIC MODE	AUTO
ANGLE MARK	HI-RES
OSD LANG	N-FLICKER
CAPTIONS	
SCR SAVER	
MAIN PAGE	

### PIC mode setup

Select **AUTO**, the player PIC mode will depend on DVD disc. Select **HI-RES** format for best image resolution. Select **N-FLICKER** format when image or picture has noise or distortion.

--- GENERAL PAGE ---

TV DISPLAY	
PIC MODE	
ANGLE MARK	ON
OSD LANG	OFF
CAPTIONS	
SCR SAVER	
MAIN PAGE	

### ANGLE MARK display setup

If it is set to **ON**, when the multi-angle DVD disc is playing, (the angle mark) will appear on the screen; if it is set to **OFF**, the mark will not appear.

--- GENERAL PAGE ---

TV DISPLAY	
PIC MODE	
ANGLE MARK	
OSD LANG	ENGLISH
CAPTIONS	FRENCH
SCR SAVER	GERMAN
	ITALIAN
	SPANISH
MAIN PAGE	

### OSD LANG type setup

Select the preferred OSD (On Screen Display) language by using the **▲ / ▼** buttons.

--- GENERAL PAGE ---

TV DISPLAY	
PIC MODE	
ANGLE MARK	
OSD LANG	
CAPTIONS	ON
SCR SAVER	OFF
MAIN PAGE	

### CAPTIONS setup

When playing a DVD disc, you can activate the **CAPTIONS** feature by selecting **ON** and the captions (such as the actor dialogue) appear on the screen; deactivate this feature by selecting **OFF** and the captions will not appear.

# SETUP

--- GENERAL PAGE ---

TV DISPLAY	
PIC MODE	
ANGLE MARK	
OSD LANG	
CAPTIONS	
SCR SAVER	ON OFF
MAIN PAGE	

**SCR SAVER setup**  
Select the SCR SAVER ON/OFF.

## SPEAKER SETUP

--- SPEAKER SETUP PAGE ---

DOWNMIX	LT/RT
	STEREO
MAIN PAGE	

This is to activate the audio output from DOLBY AC3 5:1 DOWNMIX to 2 channel mode. Select the preferred SPEAKER connection by using the cursor buttons.  
- Select LT/RT to activate the Dolby surround compatible output.  
- Select STEREO to activate simple stereo mode.

**AUDIO SETUP**

--- AUDIO SETUP ---

SPDIF	OFF
OP MODE	ON
LPCM OUTPUT	
DYNAMIC	
MAIN PAGE	

**SPDIF**  
This is to activate the digital audio output on or off.

--- AUDIO SETUP ---

SPDIF	LINE OUT
OP MODE	RF REMOD
LPCM OUTPUT	
DYNAMIC	
MAIN PAGE	

**OP MODE**  
- LINE OUT: Line out mode, with digital dialog normalization.  
- RF REMOD: RF remodulation mode, with heavy compression and digital dialog normalization.  
It is recommended to select LINE OUT mode.

# SETUP

--- AUDIO SETUP ---

SPDIF	
OP MODE	
LPCM OUTPUT	LPCM 48K
DYNAMIC	LPCM 96K
MAIN PAGE	

**LPCM OUTPUT**  
Select the LPCM (Line Pause Code Modulation) OUTPUT between LPCM 48K and LPCM 96K. The higher the sampling frequency is, the better the output audio quality is.  
It is recommended to select LPCM 96K.

--- AUDIO SETUP ---

SPDIF	
OP MODE	
LPCM OUTPUT	FULL
DYNAMIC	6/8
	4/8
	2/8
	OFF
MAIN PAGE	

**Dynamic Range Control**  
Select DYNAMIC and adjust the dynamic range of a Dolby Digital encoded program. There are 8 steps between full compression and off compression.

**PREFERENCES SETUP**

--- PREFERENCES PAGE ---

TV TYPE	AUTO
AUDIO	NTSC
SUBTITLE	PAL
DISC MENU	
PARENTAL	
PASSWORD	
DEFAULTS	
SMART NAV	
LOGO	
MAIN PAGE	

## TV type setup

This player can play discs recorded in either PAL or NTSC format.  
Select AUTO format and the player TV output format will be set automatically according to the DVD disc format to be played. We recommend you use this setting.  
Select NTSC format when the disc to be played is a Region 1 disc or you are connected to an external NTSC TV.  
Select PAL format when the disc to be played is in PAL format or you are connected to an external PAL TV.

--- PREFERENCES PAGE ---

TV TYPE	
AUDIO	ENGLISH
SUBTITLE	FRENCH
DISC MENU	SPANISH
PARENTAL	CHINESE
PASSWORD	JAPANESE
DEFAULTS	GERMAN
SMART NAV	ITALIAN
LOGO	
MAIN PAGE	

**AUDIO language setup**  
Select the preferred AUDIO soundtrack by using the cursor buttons.

# SETUP

--- PREFERENCES PAGE ---

TV TYPE	
AUDIO	ENGLISH
SUBTITLE	FRENCH
DISC MENU	SPANISH
PARENTAL	CHINESE
PASSWORD	JAPANESE
DEFAULTS	GERMAN
SMART NAV	ITALIAN
LOGO	OFF
MAIN PAGE	

## SUBTITLE language setup

Select the preferred SUBTITLE language by using the cursor buttons.

--- PREFERENCES PAGE ---

TV TYPE	
AUDIO	
SUBTITLE	ENGLISH
DISC MENU	FRENCH
PARENTAL	SPANISH
PASSWORD	CHINESE
DEFAULTS	JAPANESE
SMART NAV	GERMAN
LOGO	ITALIAN
MAIN PAGE	

## DISC MENU language setup

Select the preferred DISC MENU language by using the cursor buttons.

--- PREFERENCES PAGE ---

TV TYPE	1 G
AUDIO	2
SUBTITLE	3 PG
DISC MENU	4 PG 13
PARENTAL	5
PASSWORD	6 PG-R
DEFAULTS	7 NC-17
SMART NAV	8 ADULT
LOGO	NO PARENTAL
MAIN PAGE	

## PARENTAL

Select suitable parental guidance by using the cursor buttons and then press OK button. If prompted to enter password, see Password section below and enter the default number shown. Press the OK button when prompted to press ENTER.

--- PREFERENCES PAGE ---

TV TYPE	
AUDIO	
SUBTITLE	
DISC MENU	
PARENTAL	CHANGE
PASSWORD	
DEFAULTS	
SMART NAV	
LOGO	
MAIN PAGE	

## PASSWORD

Select CHANGE and press OK button. Type the old password (The initial factory code is 3308) and key in 4 new numbers that you want to use on the remote control, and re-enter them again to confirm they were keyed in correctly. We suggest you make a note of the new number and keep it in a safe place.

# SETUP

--- PREFERENCES PAGE ---

TV TYPE	
AUDIO	
SUBTITLE	
DISC MENU	
PARENTAL	
PASSWORD	
DEFAULTS	RESET
SMART NAV	
LOGO	
MAIN PAGE	

## DEFAULTS

Select RESET to revert to factory initial settings.

--- PREFERENCES PAGE ---

TV TYPE	
AUDIO	
SUBTITLE	
DISC MENU	
PARENTAL	
PASSWORD	
DEFAULTS	NO MENU
SMART NAV	WITH MENU
LOGO	
MAIN PAGE	

## SMART NAV

If you select WITH MENU mode, when you play an MP3 disc, the smart navigation menu will appear on the screen, then the user can select a track to play according to the menu hint. If you select NO MENU mode, when you play an MP3 disc, there is no menu to display and it starts to play directly. The user can adjust this item according to one's need.

--- PREFERENCES PAGE ---

TV TYPE	
AUDIO	
SUBTITLE	
DISC MENU	
PARENTAL	
PASSWORD	
DEFAULTS	ORIG LOGO
SMART NAV	CUST LOGO
LOGO	
MAIN PAGE	

## LOGO

Select ORIG LOGO (original picture on screen) when unit is turned on or CUST LOGO (customer-set picture when the unit turns on).

## DEFAULTS TABLE

General Setup	TV Display	Normal/PS
	PIC Mode	AUTO
	Angle Mark	ON
	OSD Language	English
	Captions	OFF
	SCR Saver	ON
Speaker Setup	Downmix	Stereo
Audio Setup	SPDIF	OFF
	OP Mode	Line Out
	LPCM Output	LPCM 96K
	Dynamic	FULL
Preferences	TV Type	AUTO
	Audio	English
	Subtitle	English
	DISC Menu	English
	Parental	OFF
Password	3308	
	Smart NAV	With Menu
	Logo	ORIG Logo

## TROUBLE SHOOTING

If it appears that your DVD unit is faulty, first consult this checklist. It may be that something simple has been overlooked.

**Under no circumstances should you try to repair the player yourself, as this will invalidate the warranty. Only qualified service personnel can remove the cover or service this player.**

### NO POWER

- Check if the on/off button on the front of the player is set to on.
- Check if AC or DC power plug of the unit is properly connected.
- Check if there is power at the AC or DC outlet.

### NO PICTURE

- Check if the mode is set to proper state, such as DVD mode and AV mode.
- Check the video connection.

### DISTORTED PICTURE

- Check the disc for fingerprints and clean with soft cloth, wiping from centre to edge.
- Sometimes a small amount of picture distortion may appear. This is not a malfunction.

### COMPLETELY DISTORTED PICTURE

- The disc format is not according to the TV-set used (PAL/NTSC).

### NO COLOR IN PICTURE

- The disc format is not according to the TV-set used (PAL/NTSC).

### DISC DOES NOT PLAY

- Ensure the disc label is upwards.
- Clean the disc.
- Check if the disc is defective by trying another disc.

### NO SOUND

- Check audio connections.
- If using a HiFi amplifier, try another sound source.

### DISTORTED SOUND FROM HIFI AMPLIFIER

- Check to make sure that no audio connections are made to the amplifier phono input.

### NO RETURN TO START-UP SCREEN WHEN DISC IS REMOVED

- Press POWER to turn off the unit, then press it again to turn on the unit.
- Press Reset button on the side of the unit.

### THE PLAYER DOES NOT RESPOND TO THE REMOTE CONTROL

- Aim the remote control directly at the sensor on the front of the player.
- Avoid all obstacles which may interfere with the signal path.
- Inspect or replace the remote control batteries.

### DISTORTED OR B/W PICTURE

- The disc format is not according to the TV-set used (PAL/NTSC).

### NO AUDIO AT DIGITAL OUTPUT

- Check the digital connections
- Check the Digital Audio menu to make sure that the digital output is correctly set.
- Check if the audio format of the selected audio language matches your receiver's capabilities.

### BUTTONS DO NOT WORK

- Turn the player off and on with the power on/off button on the front of the player.
- Press Reset button on the side of the unit.

## SPECIFICATIONS

Supply Voltage : 12V DC (7V-15V), test voltage 12V, negative ground  
Current Consumption : Less than 2A  
Signal System : Compositive video 1.0Vp-p 75Ω  
Discs Played : (1) DVD-VIDEO disk  
5" (12 cm) single-sided, single-layer  
5" (12 cm) single-sided, double-layer  
(2) Compact disc (CD-DA/CD-R/CD-RW/MP3)  
(3) 5" (12 cm) Video CD  
: 10k Ω (2 ch 1.2 Vrms)

Audio Output Level  
Audio Signal Output  
Characteristics

: (1) Frequency Response 20 Hz - 20 KHz  
: (2) S/N Ratio 80 dB (JIS)  
: (3) Wow and Flutter Below measurable limits

### Note:

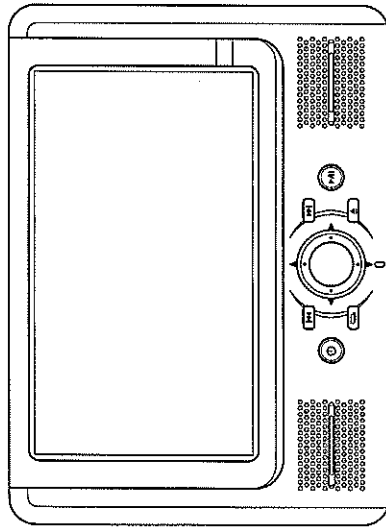
Specifications and design are subject to modification, without notice, due to improvements in technology.

This product incorporates copyright protection technology that is protected by method claims of certain U.S. patents and other intellectual property rights owned by Macrovision Corporation and other rights owners. Use of this copyright protection technology must be authorized by Macrovision Corporation, and is intended for home and other limited viewing uses only unless otherwise authorized by Macrovision Corporation. Reverse engineering or disassembly is prohibited.

# OWNER'S MANUAL

---

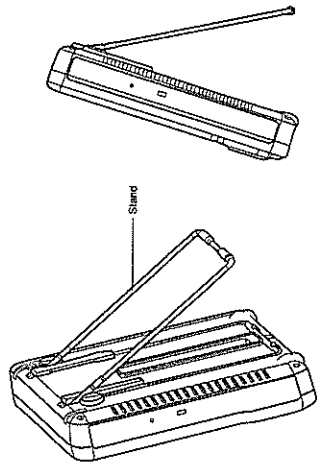
## TFT-LCD MONITOR



## INSTALLATION

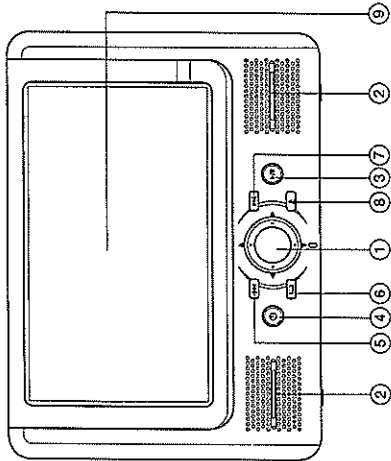
---

You can pull out the stand on the back of the monitor to place the unit on the desired position for desktop operation (using the AC power adapter).



## LOCATION AND FUNCTION OF KEYS

### FRONT VIEW



1. POWER /STOP
2. Speakers
3. MENU
4. MUTE
5. VOLUME+
6. VOLUME-
7. PICTURE+
8. PICTURE-
9. 7 inch Color TFT LCD

#### 1. POWER

Press **POWER** button (1) to turn the unit on/off .

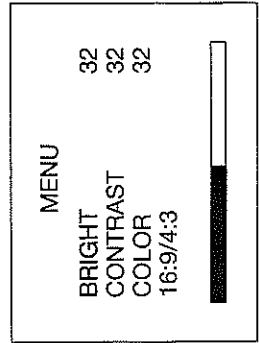
#### 2. SPEAKERS

There are two speakers (2) on the front of the monitor. Sound will be heard from the speakers unless a headphone is connected to the headphone jack on the monitor.

#### 3. MENU

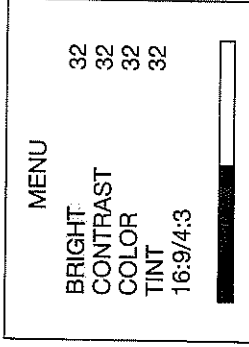
Press the **MENU** button (3) to show the menu on the display (9), repeatedly press **MENU** button (3) to select among Bright, Contrast, Color, Tint (For the unit with NTSC system) and 16:9/4:3 items.

(For the unit with PAL system):



## LOCATION AND FUNCTION OF KEYS

(For the unit with NTSC system):



Press **PICTURE+** button (6) or **PICTURE-** button (7) to increase or decrease the level of the corresponding item.

#### 4. MUTE

Press **MUTE** button (4) to mute the sound. Press the button again to recover sound.

#### 5. VOLUME+

Press the **VOLUME+** button (5) to increase the volume level of the speakers.

#### 6. VOLUME-

Press the **VOLUME-** button (6) to decrease the volume level of the speakers.

#### 7. PICTURE+

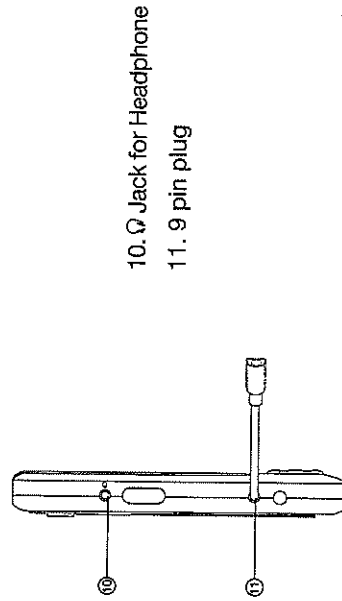
Press the **PICTURE+** button (7) to adjust the corresponding item when press **MENU** button (3) has been selected.

#### 8. PICTURE-

Press the **PICTURE-** button (8) to adjust the corresponding item when press **MENU** button (3) has been selected.

#### 9. TFT LIQUID CRYSTAL DISPLAY

The MVS1854 has a 7 inch TFT colour LCD (9) display.



10.  $\phi$  Jack for Headphone

11. 9 pin plug

#### 10. JACK FOR HEADPHONE (INCLUDED)

There is a jack (10) for a headphone. You can connect a headphone to the jack for private listening. Sound from the speakers will be muted when a headphone is plugged into this jack.

#### 11. 9 PIN PLUG

This plug (11) is used to provide DC 12V power supply to the unit and for AV IN.

## **TROUBLE SHOOTING**

---

Before going through the checklist, check wiring connection. If any of the problems persist after checklist has been made, consult your nearest service dealer.

### **NO POWER**

- Check if the power button on the front of the monitor is set to on.
- Check if the 9 Pin connector plugs are properly connected.
- Check if there is power at the power supply outlet.

### **THE PICTURE IS OVER DARK, OVER BRIGHT OR HAS NO COLOR**

- Press **MENU** button on the front of the unit, then press **PICTURE+** button or **PICTURE-** button to increase or decrease the level of the corresponding item (BRIGHT, CONTRAST, COLOR or TINT) to proper value, then you can get an optimum picture effect.

### **NO SOUND**

- Check if the audio connections are properly connected.
- Check if the volume is minimum, and press the **VOLUME+** button to increase the volume level.

### **BUTTONS DO NOT WORK**

- Turn the unit off and on with the power button on the front of the unit.

## KOSS HOME ENTERTAINMENT WARRANTY

We appreciate your purchase of a Koss Home Entertainment product. We take pride in the quality of our products and have manufactured your new Home Entertainment unit to exacting quality standards. We feel confident that in normal use, it will provide you with satisfactory performance.

However, should you experience difficulty, you are protected under the provisions of this warranty. Koss Home Entertainment products are warranted against manufacturing defects in materials and workmanship in normal use for the following period from the date of purchase by the original user, and is conditional upon the unit being installed and used as directed in the instruction manual.

PRODUCT	PARTS AND LABOUR
Audio Products	1 year
Remote Control Unit	90 days
Clock Radios	1 year
Car Audio	1 year
Headphones	90 days
Home Theatre Products	1 year
DVD Players	1 Year

Koss's obligation under this warranty shall be limited to the repair, including all necessary parts and the cost of the labour connected therewith, or at our option the exchange of any Home Entertainment product which shows evidence of a manufacturing defect within the warranty period. Replacement parts, furnished in connection with this warranty shall be warranted for a period equal to the unexpired portion of the original equipment warranty.

### CUSTOMER OBLIGATIONS

This warranty applies to the product from the original date of purchase at retail. Therefore, the owner must provide a copy of the original, dated bill of sale. No warranty service will be performed without a bill of sale. Transportation to and from the service depot is the responsibility of the owner, as is removal and installation of Car Audio and Home Theatre products.

### WARRANTY EXCLUSIONS

This warranty is extended to Koss Home Entertainment products purchased and used in Canada. This warranty shall not apply to appearance or accessory items including but not limited to: antenna, cabinet, cabinet parts, knobs, batteries, connecting cables, cassette tapes, compact discs. This warranty shall, in addition, not apply to damages due to handling, transportation, unpacking, set-up, installation, customer adjustments that are covered in the instruction book, repair or replacement of parts supplied by other than the Koss authorized service depot, any malfunction or failure caused by or resulting from abnormal environmental conditions, improper unauthorized service, improper maintenance, modifications or repair by the consumer, abuse, misuse, neglect, accident, fire, flood, or other Acts of God, and incorrect line voltage.

This Home Entertainment product is only warranted to the original retail purchaser. This warranty becomes void in the event of commercial or rental use. This warranty becomes void in the event serial numbers are altered, defaced or removed.

Koss reserves the right to make changes in design or to make additions to or improvements upon this product without incurring any obligation to install the same on products previously manufactured.

The foregoing is in lieu of all other warranties expressed or implied and Koss neither assumes nor authorizes any person to assume for it any other obligation or liability in connection with the sale or service of this product. In no event shall Koss or its Koss dealers be liable for special or consequential damage arising from the use of this product, or for any delay in the performance of this warranty due to cause beyond our control.

The purchaser may have other rights under existing provincial or federal laws, and where any terms of this warranty are prohibited by such laws, they are deemed null and void, but the remainder of the warranty shall remain in effect.

### HOW TO OBTAIN SERVICE

Should this product require service, you may obtain specific information on how to obtain service by contacting the Koss Dealer from whom this product was purchased, or by contacting us directly:

**SONIGEM SERVICE**  
300 Alden Road  
Markham, Ontario  
L3R 4C1

PHONE: (905) 940-5089 FAX: (905) 940-2303  
1-800-287-4871